



**Océ**  
VarioStream  
7000 series

The tool makes  
the difference



Integrated  
continuous feed  
printers for every  
demand

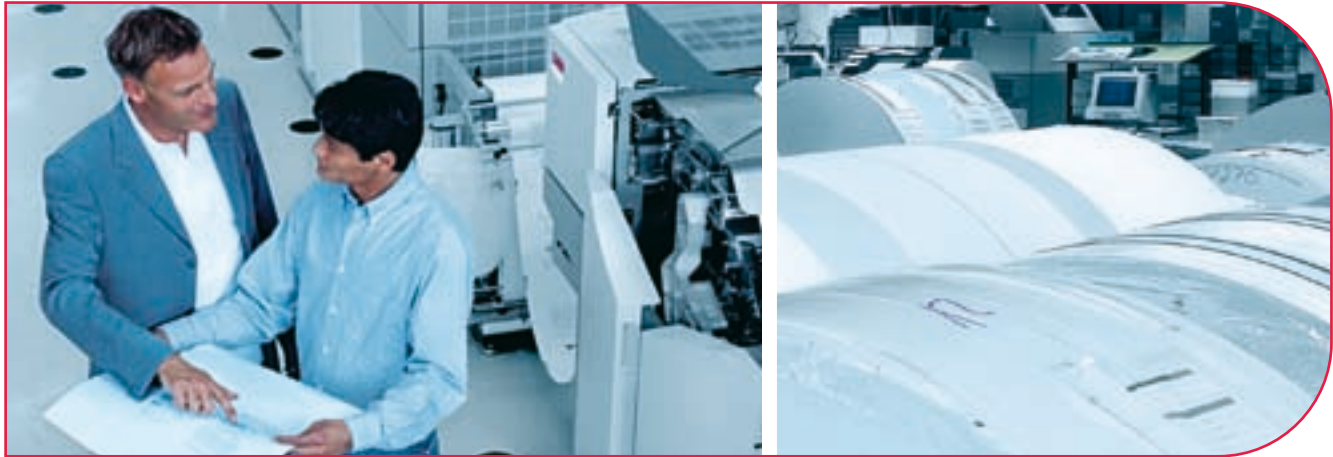
- Speed, quality, and media choice flexibility
- Enhanced Print Quality technology
- Innovative engineering in paper transport and developer station
- The power of colour with Océ CustomTone®
- Performance features for continuous operation

# The tool makes the difference



## Océ VarioStream 7000 series

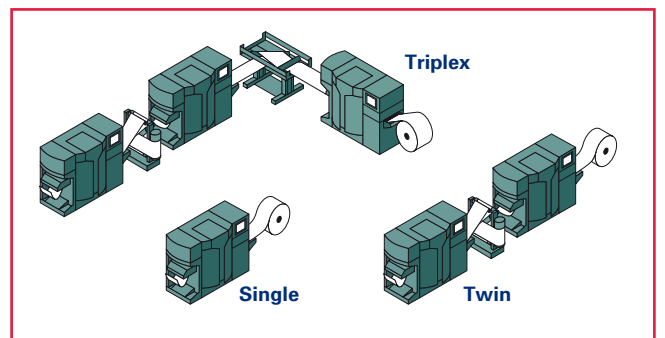
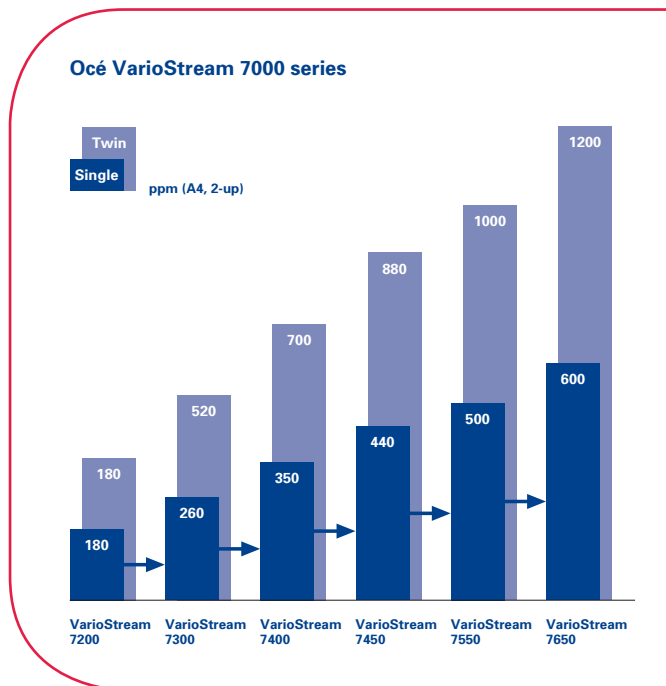
Integrated continuous feed printers  
for every demand



Printing solutions ideally offer the best of all worlds. Few enterprises can afford to invest in a single-purpose printing system. Which is the principle behind the Océ VarioStream<sup>®</sup> 7000 series, a family of web printers for the challenges of every business world – in the data-rooms of industry, commerce and financial services and in the production centres of print-for-profit service providers.

Océ VarioStream 7000: open your world

# Integrated continuous feed printers for every demand



## Speed, quality, and media choice flexibility

### Maximum flexibility

The Océ VarioStream 7000 series gives enterprises everywhere a modern, flexible family of continuous feed digital presses that measure up to every application challenge. The series is backed by Océ's 25-year record as an innovator and creator of pioneering solutions in transactional printing and Print on Demand. Combining established standards and groundbreaking technology in a new concept, the Océ VarioStream 7000 is a product in the best Océ tradition, offering flexibility that is unrivalled on the market.

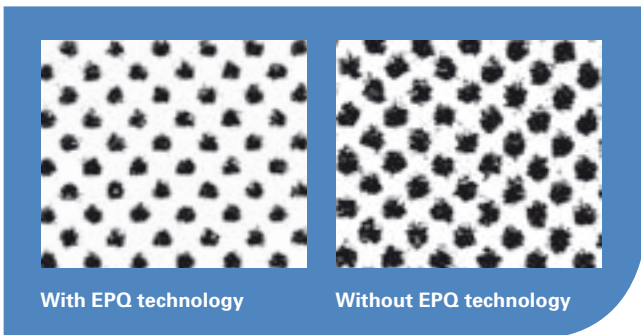
### The right speed for every occasion

Leverage your assets – by investing in a printing system that grows and evolves along with your business. The entry-level model, the Océ VarioStream 7200, produces 180 A4 pages per minute in single mode, and 360 in a twin configuration. As your print volumes increase, you can upgrade the speed to keep pace – right up to the 1,200 A4 ppm of an Océ VarioStream 7650 Twin. To keep your configuration flexible, you can also run the two printers in the twin systems as solo machines.

### Fits in every environment

The Océ VarioStream 7000 can process native data streams in a range of formats including AFP/IPDS, PCL and E/C mode. Combine the system with Océ PRISMA® software modules, and there's no limit to your data input choices, such as PostScript and PDF, since the software components offer interfaces with all leading IT platforms and print data. Wherever the data arrives from – host systems, servers or networks – you benefit from a totally integrated workflow.

Based on Océ's trusted SRA technology, the versatile system controller accepts and processes 240, 300 and 600 dpi input data. It automatically adjusts to the input resolution not just between jobs, but with one and the same document and even on the same page. So you can use your resources exactly as they are. Your logo in 300 dpi quality, for example. Images at 600 dpi, and the text in 240 dpi. The Océ VarioStream 7000 outputs each element in the optimal quality, from the first page to the last.



## Enhanced Print Quality technology

### The EPQ technology...

The conventional toner transfer technique in digital printing works with an electrostatic charge generated by ultra-thin corona wires. EPQ technology greatly enhances this by using a transfer roller instead of corona wires, which ensures total consistency of imaging quality.

### ... and its benefits

- Excellent print quality in text, line drawings and continuous-tone images
- Lower dot gain and sharper edges through ultra-precise toner transfer
- No disparity in print images on recto and verso sides

### A new benchmark of quality

Imagine 1,200 pages per minute, each page a crisp, sharp original. Imagine superlative print quality for text, graphics and halftone images, and total consistency between recto and verso page images. Too much to ask for? Not with the Océ VarioStream 7000. Océ's EPQ (Enhanced Print Quality) toner transfer technique sets new benchmarks for print quality, delivering consistently excellent output of every element – especially ultra-thin lines, patterns and halftone images. The Océ VarioStream 7000 delivers unrivalled print quality, even at the super-fast speeds that are routine to any continuous feed print operation.

### The optimal quality for every purpose

Often enough, printroom reality means handling a multitude of totally different applications and quality requirements, with equally unpredictable scheduling. To help you turn jobs around fast, Océ has developed the Océ VarioStream 7000 CX (Convergence) models. Within minimal effort, these machines switch seamlessly between the different application worlds of transactional printing and high quality graphic printing.

### 100% Data Integrity

The Océ VarioStream 7000 uses a patented data integrity system that insures the front and back of every page matches. Instead of intrusive barcodes, this industry-leading system uses a small mark which can be placed at the edge of the page. This reduces paper, trimming, and disposal costs associated with traditional barcode integrity systems. The result: lower costs and highest data security.



# The tool makes the difference

## Innovative engineering in paper transport and developer station

### QCDS technology...

Change colour in just a few easy steps? Print one job with the corporate red of one client, then switch to blue for the next? Run a few jobs with MICR, then switch back to standard toner? It's all part of the day's routine with the Quick Change Developer Station. Just make a straight swap of the stations, and you're ready to run.

### ...and its benefits

- Stay flexible: the system can easily be switched to another toner or colour
- Leverage your investment: handle a wide range of applications with just one system
- Enjoy more colour choice: with Océ CustomTone you can obtain your own customised colour match

### Bimodal paper transport...

Engineered to enable digital presses to process forms with and without feedhole margins, Océ's pinless technology gives you flexible media choices. Like an offset press, the pinless transport system works without tractor feed units, instead using a friction drive that conveys the media via rollers through the system. As a result, the printer can handle forms without the feedhole margins that used to be required by web-fed digital presses.

### ...and its benefits

- Reduce your paper bill: paper without feedhole margins costs far less
- Process even lightweight paper (below 60 g/m<sup>2</sup>) without glitches and hold-ups. At the upper end, the pinless transport increases maximum processable grammages to over 160 g/m<sup>2</sup>.
- Enjoy reliable processing and superb flexibility: the system can handle a wide variety of substrates
- Rely on secure paper transport even at high printing speeds of up to 1,200 ppm (A4, 2-up)





## The power of colour with Océ CustomTone

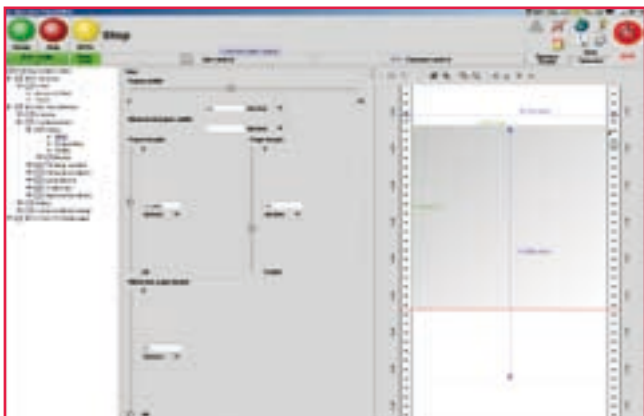
### Change colours fast with QCDS

The Océ-developed Océ CustomTone technology makes it possible to use an additional spot (highlight) colour in high speed digital presses such as the Océ VarioStream 7000. The toner is available in a range of standard colours, but what makes the feature special is the possibility of commissioning your very own colour mix: you can have Océ customise a toner to match your corporate identity.

### The power of colour

With the Océ CustomTone technology, Océ was swift to respond to the demand for more colour in print communication. The Océ CustomTone concept is a genuine alternative to full-colour printing. Costing far less than process-colour prints, it delivers the same success rates in client communication. And it is also far more cost-efficient than stocking preprinted colour forms.

Océ CustomTone creates new communication opportunities everywhere. Use it to accentuate elements in technical documentation, or draw the reader's eye to the payoff slogan of your marketing collateral. Place the colour where it works best. Anywhere in the document, anywhere on the page. There are no restrictions on flexibility. Your customers will understand the content more readily – and be more satisfied with your services as a result.



## Performance features for continuous operation

### Easily understandable and intuitive

Engineered for heavy-duty professional operation, the Océ VarioStream 7000 is composed of robust, reliable components to guarantee a long service life. Yet even professionals appreciate simple, intuitive operating facilities. Simplicity of handling keeps your workflows fast and failsafe, and reduces the system down time that results from invalid or incorrect user input.

The Océ VarioStream 7000 features a GUI that ensures intuitive handling. Key information is shown in clear, summarised form on the screen. This ease of handling will accelerate system setup, prevent potential operator error and make your entire print operation more ergonomic. The GUI also enables multiple systems to be operated from a single control terminal installed at the point of need – in the prepress room, for instance.

### Save time and avoid errors with UP<sup>3</sup>I

The ideal complement to the power of a production system such as the Océ VarioStream 7000 is professional online finishing. To deliver maximum productivity to your workflows, the Océ VarioStream 7000 features a Universal Printer Pre- and Postprocessing Interface – or UP<sup>3</sup>I. This is an interface standard enabling communication between all the modules in a digital printing line.

- Set up post-processing equipment automatically with the data stream
- Operate complex production lines from one single point of control
- Reduce setup times
- Avoid production errors

# Beyond the Ordinary



## Printing for Professionals

Océ helps the people who make our world. Companies everywhere use Océ technical documentation systems in manufacturing, architecture, engineering and construction. Each week, high speed Océ printing systems produce millions of transaction documents such as bank statements and utility bills. And in offices around the world, people use Océ professional document systems to keep the wheels of business and government turning. Océ is also at work in publishing on demand, newspaper production, document management outsourcing and wide format colour for spectacular display graphics. It all helps our professional customers go 'Beyond the Ordinary' in printing and document management.